

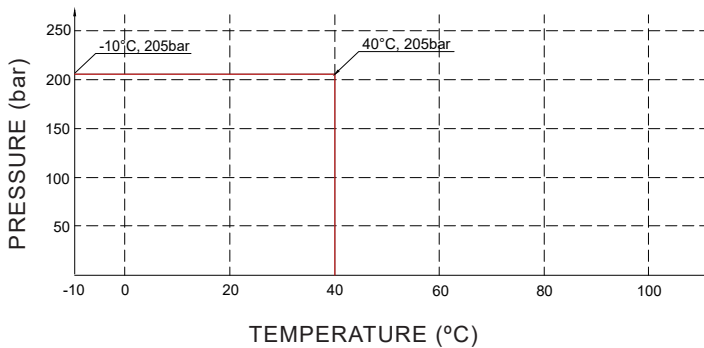
# Diaphragm Valves

## VDV33UA Series

### Product Feature

- Suitable for high purity flammable or toxic gases
- Direct diaphragm construction with superior sealing performance, remarkable durability, compactness and particle and dead-space-free performance
- Valve open and closed position is easily visible at a glance
- Excellent gas displacement characteristics
- Standard seat material is PEEK, Polyimide/PFA is option

### Temperature / Pressure Rating



1/4 Type



1/4 Type



1/2 Type



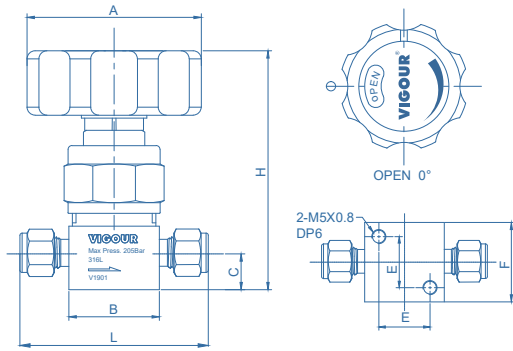
1/2 Type

### Technical Data

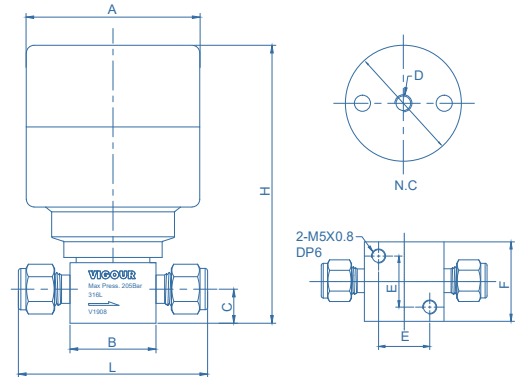
Max. Working Pressure:	3000 psig (205 bar)
Pneumatic Operating Pressure:	58~87psig (4-6bar)
Max. Working Temp.:	-10°F ~ 150°F (-23°C ~ 65°C)
Materials	
Body:	316L
Diaphragm:	Elgiloy®
Seat packing:	PEEK
Handle:	AL
Internal Leakage Allowance:	1x10 <sup>-9</sup> mbar l/s He
External Leakage Allowance:	1x10 <sup>-9</sup> mbar l/s He
Weight:	approx. 0.27kg (actuator not included)



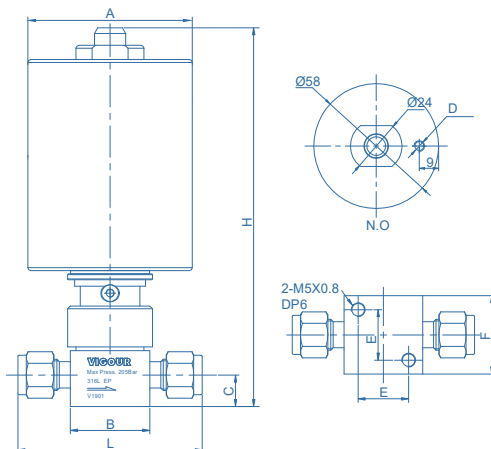
## Dimensions (mm)



1/4, 3/8, 1/2 manual actuator



1/4, 3/8, 1/2 pneumatic actuator (N.C.)



1/4 pneumatic actuator (N.O.)

### manual actuator

End Connections	Orifice (mm)	Dimensions (mm)						
		A	B	C	E	F	L	H
1/4" tube Fittings	4.4	Φ54	28	11.1	18	28	65	74
3/8" tube Fittings	7	Φ54	42	18.2	27	38	84.8	86
1/2" tube Fittings	7	Φ54	42	18.2	27	38	89.6	86

### pneumatic actuator, normally opened / normally closed

End Connections	Actuator	Orifice (mm)	Dimensions (mm)							
			A	B	C	D	E	F	L	H
1/4" tube Fittings	N.C.	4.4	Φ56.5	28	11.1	M5x0.8	18	28	65	90.5
1/4" tube Fittings	N.O.	7	Φ58	28	11.1	M5x0.8	18	28	65	134
3/8" tube Fittings	N.C.	7	Φ56.5	42	18.2	RC 1/8	27	38	84.8	105
1/2" tube Fittings	N.C.	7	Φ56.5	42	18.2	M5x0.8	27	38	89.6	105

1/4", 3/8", 1/2" tube fitting dimensions for reference, other connections please contact factory.

## Ordering Information

**VDV33UAS - M - 04 - 04 - PA**

### Materials

S: 316L

### Actuator

M: manual actuator

PO: pneumatic actuator, normally opened \*

PC: pneumatic actuator, normally closed

\*Normally opened available with connection size 1/4 thch.

### Valve Seat Option

None: PEEK (standard)

PA: PFA

VS: Vespel®

### End Connection

F4: 1/4" FNPT

04: 1/4" tube fitting

06: 3/8" tube fitting

08: 1/2" tube fitting

\* Other connection standard, consult factory

