

Pressure Gauge

VGU/VRU/VGT/VRT/VG/VR Series

Product Feature

- UHP “clean” for semiconductor gas applications, in accordance with SEMI/SEMATECH
- Packaged in two bags
- Purged with nitrogen
- Protective cap over threaded connection
- 100 % factory calibrated and helium leak tested to a maximum rate of 1×10^{-9} mbar l/s He

Technical Data

Type	pressure gauge
Materials:	
End connection	316L VAR, electropolished
Bourdon tube	316L SS
Case	304 SS
Lens	polycarbonate
Movement	stainless steel
Dial & Pointer	aluminum
Scale	psig/bar dual scale
Dial size	2"
Accuracy	±2%
Ambient temperature	-40°F to 140°F (-40°C to 60°C)



VRU



VGU



VRT



VGT

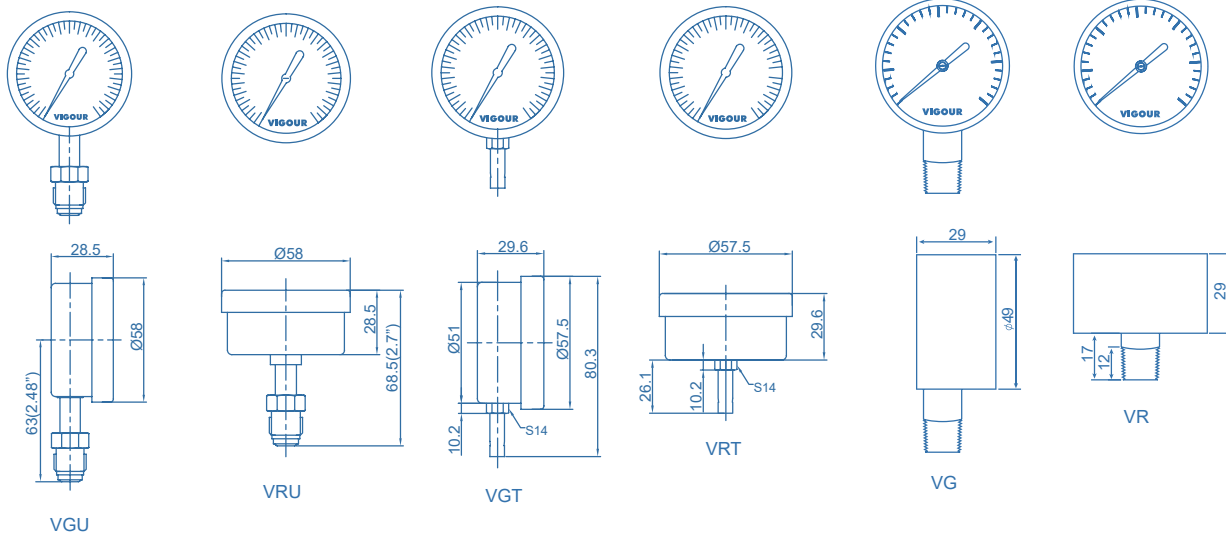


VR



VG

Dimensions



Ordering Information

VGU/VRU Series (Ultra High Purity)

Ordering Number	Inlet Connection	Pressure Range (bar/psig)
VGU Series, Lower Mount, VFS End		
VGU20S-1.6/2.5/4/6/7/10/14/16/25/35/60B-FV4	1/4"face seal female	0~1.6/2.5/4/6/7/10/14/16/25/35/60 bar 0~23/30/60/86/100/140/200/230/350/500/860 psig
VGU20S-1.6/2.5/4/6/7/10/14/16/25/35/60B-MV4	1/4"face seal male	
VGU20S-1.6/2.5/4/6/7/10/14/16/25/35/60B-RMV4	1/4"rotatable face seal male	
VGU20S-100/150/250/315/400B-FV4	1/4"face seal female	0~100/150/250/315/400 bar 0~1500/2000/3500/4500/5800 psig
VGU20S-100/150/250/315/400B-MV4	1/4"face seal male	
VGU20S-100/150/250/315/400B-RMV4	1/4"rotatable face seal male	
VGU20S-V1.6/V2.5/V4/V6/V7/V10/V14/V16B-FV4	1/4"face seal female	Vac~1.6/2.5/4/6/7/10/14/16 bar Vac~23/30/60/86/100/140/200/230 psig
VGU20S-V1.6/V2.5/V4/V6/V7/V10/V14/V16B-MV4	1/4"face seal male	
VGU20S-V1.6/V2.5/V4/V6/V7/V10/V14/V16B-RMV4	1/4"rotatable face seal male	
VRU Series, Center-Back Mount, VFS End		
VRU20S-1.6/2.5/4/6/7/10/14/16/25/35/60B-FV4	1/4"face seal female	0~1.6/2.5/4/6/7/10/14/16/25/35/60 bar 0~23/30/60/86/100/140/200/230/350/500/860 psig
VRU20S-1.6/2.5/4/6/7/10/14/16/25/35/60B-MV4	1/4"face seal male	
VRU20S-1.6/2.5/4/6/7/10/14/16/25/35/60B-RMV4	1/4"rotatable face seal male	
VRU20S-100/150/250/315/400B-FV4	1/4"face seal female	0~100/150/250/315/400 bar 0~1500/2000/3500/4500/5800 psig
VRU20S-100/150/250/315/400B-MV4	1/4"face seal male	
VRU20S-100/150/250/315/400B-RMV4	1/4"rotatable face seal male	
VRU20S-V1.6/V2.5/V4/V6/V7/V10/V14/V16B-FV4	1/4"face seal female	Vac~1.6/2.5/4/6/7/10/14/16 bar Vac~23/30/60/86/100/140/200/230 psig
VRU20S-V1.6/V2.5/V4/V6/V7/V10/V14/V16B-MV4	1/4"face seal male	
VRU20S-V1.6/V2.5/V4/V6/V7/V10/V14/V16B-RMV4	1/4"rotatable face seal male	

VGT/VRT Series(Tube Connection)

Ordering Number	Inlet Connection	Pressure Range (bar/psig)
VGT Series, Lower Mount, Tube End		
VGT20S-1.6/2.5/4/6/7/10/14/16/25/35/60B-T4	1/4"tube	0~1.6/2.5/4/6/7/10/14/16/25/35/60 bar 0~23/30/60/86/100/140/200/230/350/500/860 psig
VGT20S-1.6/2.5/4/6/7/10/14/16/25/35/60B-T6M	6mm tube	
VGT20S-100/150/250/315/400B-T4	1/4"tube	0~100/150/250/315/400 bar 0~1500/2000/3500/4500/5800 psig
VGT20S-100/150/250/315/400B-T6M	6mm tube	
VGT20S-V2.5/V4/V16B-T4	1/4"tube	
VGT20S-V2.5/V4/V16B-T6M	6mm tube	Vac~23/30/60/86/100/140/200/230 psig
VRT Series, Center-Back Mount, Tube End		
VRT20S-1.6/2.5/4/6/7/10/14/16/25/35/60B-T4	1/4"tube	0~1.6/2.5/4/6/7/10/14/16/25/35/60 bar 0~23/30/60/86/100/140/200/230/350/500/860 psig
VRT20S-1.6/2.5/4/6/7/10/14/16/25/35/60B-T6M	6mm tube	
VRT20S-100/150/250/315/400B-T4	1/4"tube	0~100/150/250/315/400 bar 0~1500/2000/3500/4500/5800 psig
VRT20S-100/150/250/315/400B-T6M	6mm tube	
VRT20S-V1.6/V2.5/V4/V6/V7/V10/V14/V16B-T4	1/4"tube	
VRT20S-V1.6/V2.5/V4/V6/V7/V10/V14/V16B-T6M	6mm tube	Vac~23/30/60/86/100/140/200/230 psig

VG/VR Series(NPT Connection)

Ordering Number	Inlet Connection	Pressure Range (bar/psig)
VG Series, Lower Mount, NPT End		
VG20S-1.6/2.5/4/6/10/16/25/35/60B-M4	1/4"male NPT	0~1.6/2.5/4/6/10/16/25/35/60 bar 0~23/30/60/86/140/230/350/500/860 psig
VG20S-100/150/250/315/400B-M4	1/4"male NPT	
VG20S-V1.6/V2.5/V4/V6/V10/V16B-M4	1/4"male NPT	0~100/150/250/315/400 bar 0~1500/2000/3500/4500/5800 psig Vac~1.6/2.5/4/6/10/16 bar Vac~23/30/60/86/140/230 psig
VR Series, Center-Back Mount, Tube End		
VR20S-1.6/2.5/4/6/10/16/25/35/60B-M4	1/4"male NPT	0~1.6/2.5/4/6/10/16/25/35/60 bar 0~23/30/60/86/140/230/350/500/860 psig
VR20S-100/150/250/315/400B-M4	1/4"male NPT	
VR20S-V1.6/V2.5/V4/V6/V10/V16B-M4	1/4"male NPT	0~100/150/250/315/400 bar 0~1500/2000/3500/4500/5800 psig Vac~1.6/2.5/4/6/10/16 bar Vac~23/30/60/86/140/230 psig

