

# Single Stage Pressure Regulators

## VSR-100UA Series

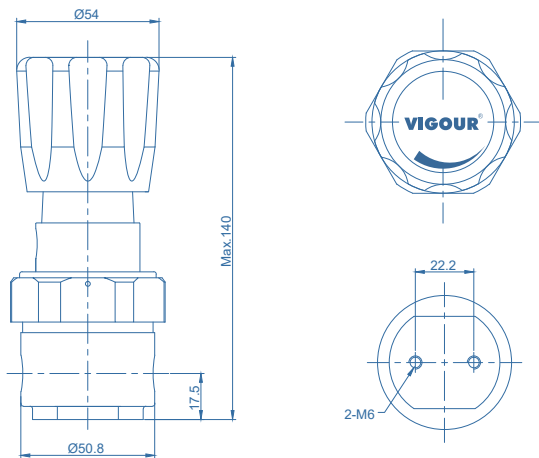
**VIGOUR**<sup>®</sup>

Wir bieten Lösungen für Ihre Ideen!  
We offer solutions regarding your ideas!

### Product Feature

- Single-stage pressure regulator
- All gas-wetted parts made of stainless steel SS 316L, Hastelloy C276 and PCTFE respectively
- High control outlet pressure accuracy
- Metal-to-metal seal to atmosphere
- Simple outlet pressure limitation by hand-wheel
- 100% helium-leak-tested
- Cleaned for O2 service

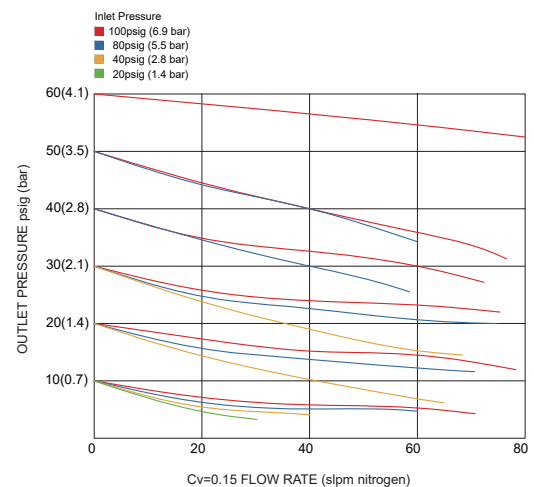
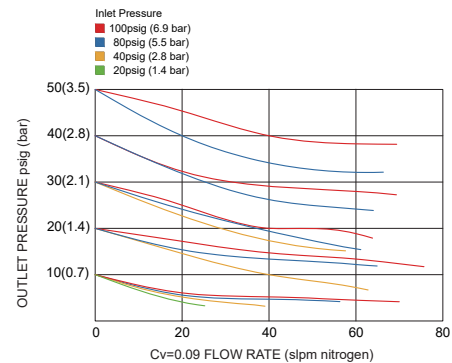
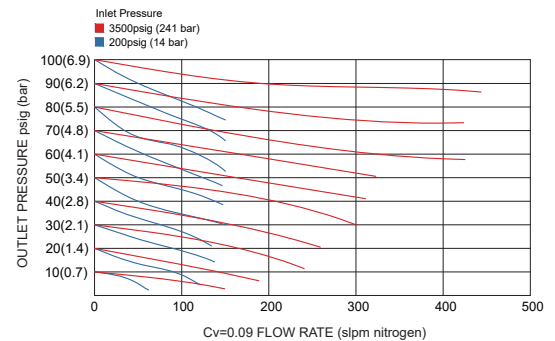
### Dimensions(mm)



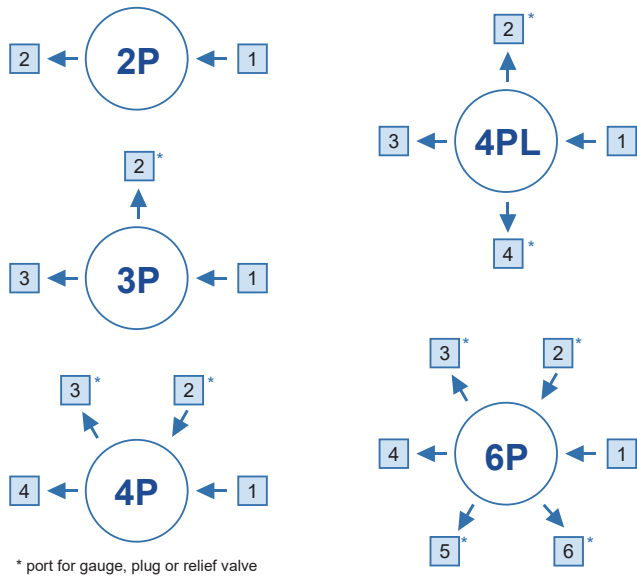
### Technical Data

Type	single-stage
Inlet pressure P1	max. 3500 psig
Outlet pressure P2	10/30/60/100/150/200/300/500 psig
Materials	
Body regulator	see ordering info
Valve seat	PCTFE
Diaphragm	Hastelloy <sup>®</sup> C276
Inlets and Outlets	1/4"NPT(F) and tube fitting
Temperature range	-40°F to +160°F (-40°C to +71°C)
Leak rate (to atmosphere)	1x10 <sup>-9</sup> mbar l/s He
Flow capacity	Cv=0.09 (Cv=0.15 option)
Weight	approx. 1.25kg (depending on connections or options)
Supply pressure effect	0.35 psig rise in delivery pressure per 100 psig source pressure drop @Cv=0.09 0.5 psig rise in delivery pressure per 100 psig source pressure drop @Cv=0.15

### Flowchart



### Ordering Information



#### Inlet / Outlet Connection

F4: 1/4" NPT(F)

O4: 1/4" Tube fitting

P: gauge

R: relief valve

B: plug

\* Other connection standard, consult factory

VSR - 100UAPS - 250 - 10 - 6P - 1 - 2 - 3 - 4 - 5 - 6 - HF

#### Installation

None: surface mount  
P: panel mount \*

\* Panel hole  $\Phi$ 36mm

#### Materials

S: 316L

#### Inlet Pressure

20: 300 psig  
250: 3500 psig

#### Port Selection

2P: 2 ports  
3P: 3 ports  
4P: 4 ports  
4PL: 4 ports  
6P: 6 ports

#### Cv Option

None: Cv=0.09  
HF: Cv=0.15

#### Outlet Pressure

V1: Vac to 10 psig  
V2: Vac to 30 psig  
V4: Vac to 60 psig  
V7: Vac to 100psig  
V10: Vac to 150 psig  
1: to 10 psig  
2: to 30 psig  
4: to 60 psig  
7: to 100 psig  
10: to 150 psig  
15: to 200 psig  
20: to 300 psig  
35: to 500 psig

### Ordering Example

VSR - 100UAS - 250 - 20 - 3P - F4 - P - F4

1 - 2 - 3

