

Single Stage Pressure Regulators

VSR-100UB Series

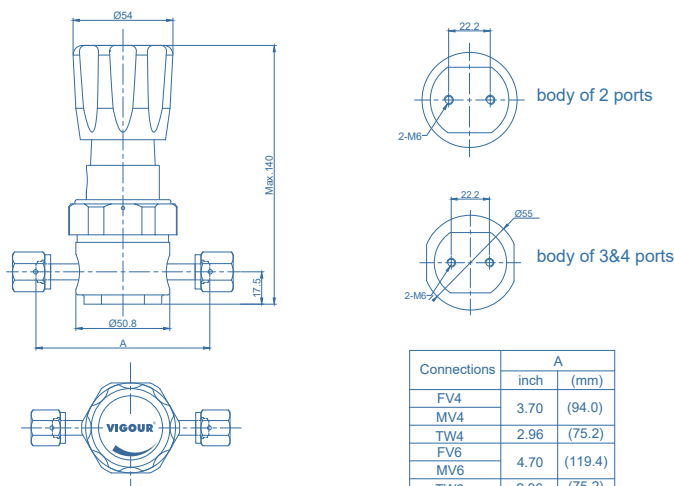
VIGOUR®

Wir bieten Lösungen für Ihre Ideen!
We offer solutions regarding your ideas!

Product Feature

- Single-stage pressure regulator
- 10µin. Ra surface finish (25µin. Ra optional)
- Minimized internal volume for short purge times
- All gas-wetted parts made of stainless steel SS 316L, Hastelloy C276 and PCTFE respectively
- Internal connectors for pressure gauges
- Flow capacity: to 30 slpm(standard), to 120 slpm(option)
- High control accuracy
- Metal-to-metal seal to atmosphere
- Simple outlet pressure limitation by hand-wheel
- 100% helium-leak-tested
- Cleaned for O2 service

Dimensions(mm)

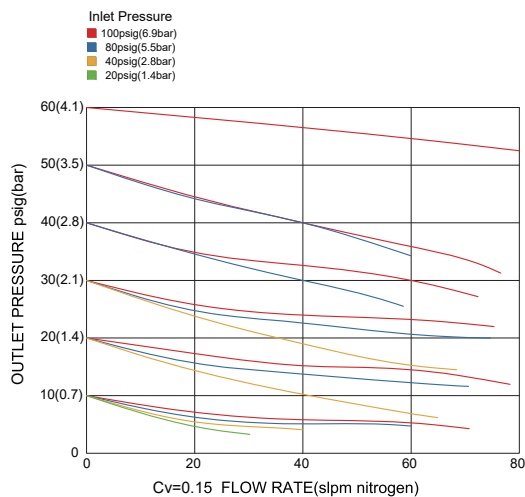
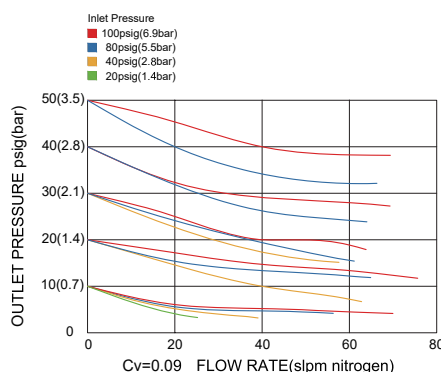
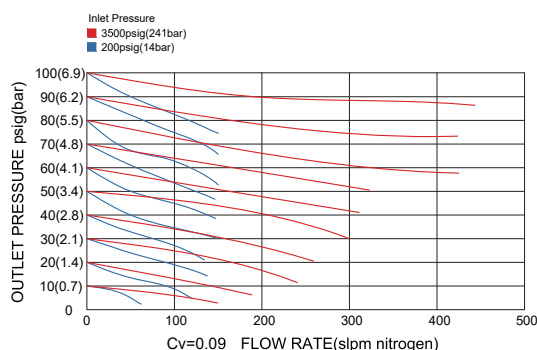


Technical Data

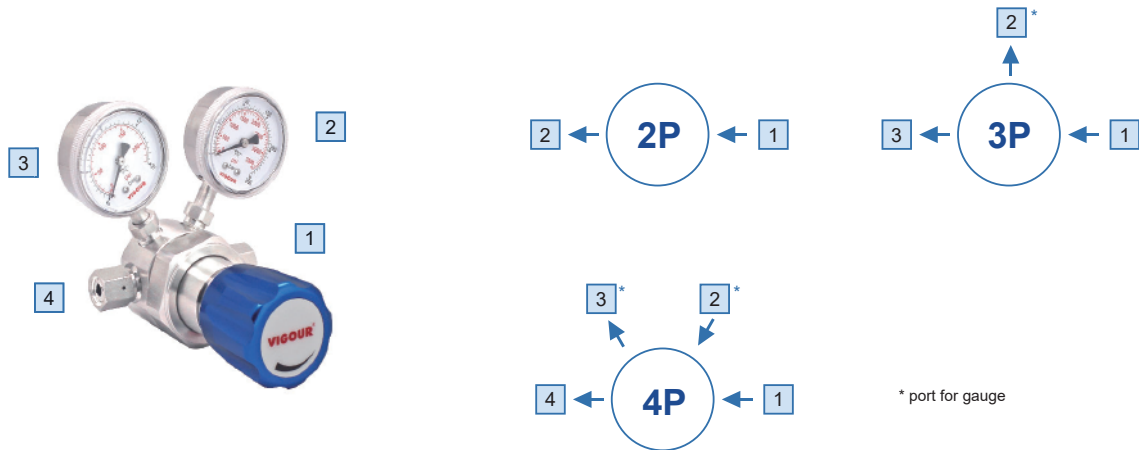
Type	single-stage
Inlet pressure P1	max. 3500 psig
Outlet pressure P2	10/30/60/100/150 psig
Surface finish	10µin. Ra (25µin. Ra optional)
Materials	
Body	see ordering info
Valve seat	PCTFE
Diaphragm	Hastelloy® C276
Inlets and Outlets	1/4" / 3/8" face seal and tube weld
Bonnet port	1/8" NPT(on panel mount option, bonnet port is not threaded)
Temperature range	-40°F to +160°F (-40°C to +71°C)
Leak rate (to atmosphere)	1x10 ⁻⁹ mbar l/s He
Leak rate (via seat)	1x10 ⁻⁸ mbar l/s He
Flow capacity	Cv=0.09 (Cv=0.15 option)
Weight	approx. 1.35kg (depending on connections or options)
Supply pressure effect	0.35 psig rise in delivery pressure per 100 psig source pressure drop @Cv=0.09 0.5psig rise in delivery pressure per 100 psig source pressure drop @Cv=0.15



Flowchart



Ordering Information



Inlet/outlet Connection

FV4: 1/4" face seal female
MV4: 1/4" face seal male
FV6: 3/8" face seal female
MV6: 3/8" face seal male

TW4: 1/4" tube weld
TW6: 3/8" tube weld
P: gauge

* Other connection standard, consult factory

Port Selection

VSR - 100UBPS - 250 - 10 - 4P - 1 - 2 - 3 - 4 - R25 - HF

Installation

None: bottom mount
P: panel mount *

* Panel hole Φ 36mm

Materials

S: 316L
H: Monel® alloy

Inlet Pressure

20: 300 psig
250: 3500 psig

Outlet Pressure

V1: Vac to 10 psig
V2: Vac to 30 psig
V4: Vac to 60 psig
V7: Vac to 100 psig
V10: Vac to 150 psig
1: to 10 psig
2: to 30 psig
4: to 60 psig
7: to 100 psig
10: to 150 psig

Cv Option

None: Cv=0.09
HF: Cv=0.15

Surface Finish

None: 10 μ m Ra
R25: 25 μ m Ra

Port Config

2P: 2 ports
3P: 3 ports
4P: 4 ports

Ordering Example

VSR - 100UBS - 250 - 10 - FV4 - P - P - FV4

1 - 2 - 3 - 4

