

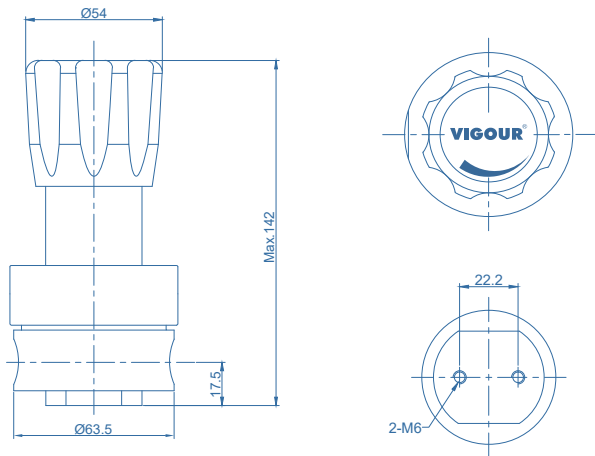
Single Stage Pressure Regulators

VSR-610UA Series

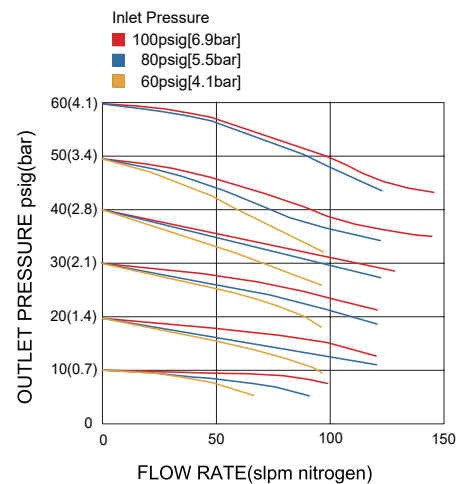
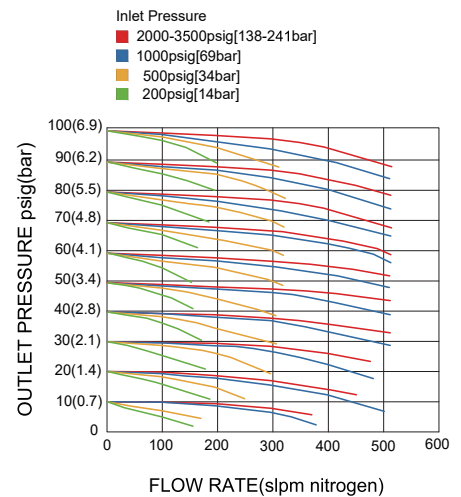
Product Feature

- Single-stage pressure regulator
- All gas-wetted parts made of stainless steel SS 316L, Hastelloy C276 and PCTFE respectively
- High control outlet pressure accuracy
- High performance, high flow
- Simple outlet pressure limitation by hand-wheel
- 100% helium-leak-tested
- Cleaned for O₂ service

Dimensions(mm)



Flowchart

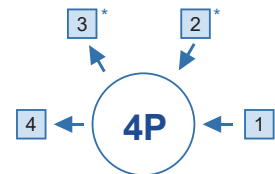
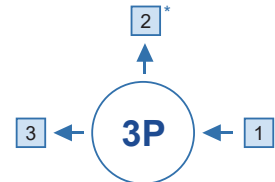


Technical Data

Type	single-stage
Inlet pressure P1	max. 3500 psig
Outlet pressure P2	10/30/60/100 psig
Materials	
Body regulator	see ordering info
Valve seat	PCTFE
Diaphragm	Hastelloy® C276
Inlets and Outlets	1/4" / 3/8" NPT(F) and tube fitting
Bonnet port	1/8" NPT(on panel mount option, bonnet port is not threaded)
Temperature range	-40°F to +160°F (-40°C to +71°C)
Leak rate (to atmosphere)	1x10 ⁻⁹ mbar l/s He
Leak rate (via seat)	1x10 ⁻⁸ mbar l/s He
Flow capacity	Cv=0.13
Weight	approx. 1.5kg (depending on connections or options)
Supply pressure effect	0.25 psig rise in delivery pressure per 100 psig source pressure drop



Ordering Information



* port for gauge

Inlet/outlet Connection

F4: 1/4" NPT(F)

04: 1/4" tube fitting

F6: 3/8" NPT(F)

06: 3/8" tube fitting

P: gauge

* Other connection standard, consult factory

Port Selection

VSR - 610UAPS - 250 - 2 - 4P - 1 - 2 - 3 - 4

Installation

P: panel mount

None: bottom mount

* Panel hole Φ37mm

Materials

S: 316L

Inlet Pressure

20: 300 psig

250: 3500 psig

Port Config

2P: 2 ports

3P: 3 ports

4P: 4 ports

Outlet Pressure

1: to 10 psig

2: to 30 psig

4: to 60 psig

7: to 100 psig

10: to 150 psig

V1: vac to 10 psig

V2: vac to 30 psig

V4: vac to 60 psig

V7: vac to 100 psig

V10: vac to 150 psig

Ordering Example

VSR - 610UAS - 250 - 10 - 2P - F4 - F4

1 - 2

