

Product Features

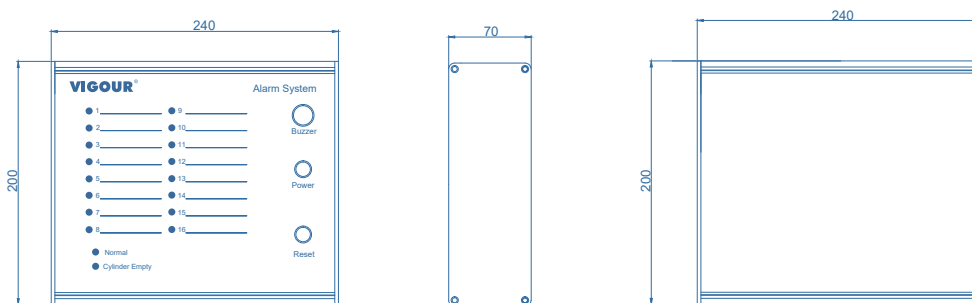
- Alarm unit come in 8 or 16 channel version
- For connection of 8 or 16 digital input signals such as contact pressure gauges or pressure switches Suitable for transducers in accordance to NAMUR specifications
- All channels are individually programmable as normally closed or normally open contact
- Delay mode (2 sec.) is integrated for all channels
- Potential-free output RS-485
- Visible alarm
- Acooustic alarm
- Aluminum housing for wall mounting



Technical Data

Supply voltage:	AC220V(110V)/50Hz
Power consumption:	10W
Input signal:	switch signal
Input capacity:	8/16 channels
Output contact:	2
Output voltage:	DC 12V
Output current:	3A
Communication interface:	RS-485(option)
Dimensions:	240*200*70mm

Dimensions (mm)



Ordering Information

VAS100 - 8 - 110 - RS

Input Capacity

- 8: 8 channels
- 16: 16 channels

communication interface

- None: standard
- RS: RS-485

Supply Voltage

- None: AC220V
- 110: AC110V

