

### Product Features

- Bi-directional flow (fully opened or fully closed)
- Directional handle indicating on-off position
- Allow for panel mounting
- Single piece ball stem to eliminate backlash
- One piece body to eliminate multiple seal points
- Unique, top-loaded capsule packing allows reliable switching
- Tested for use with oxygen

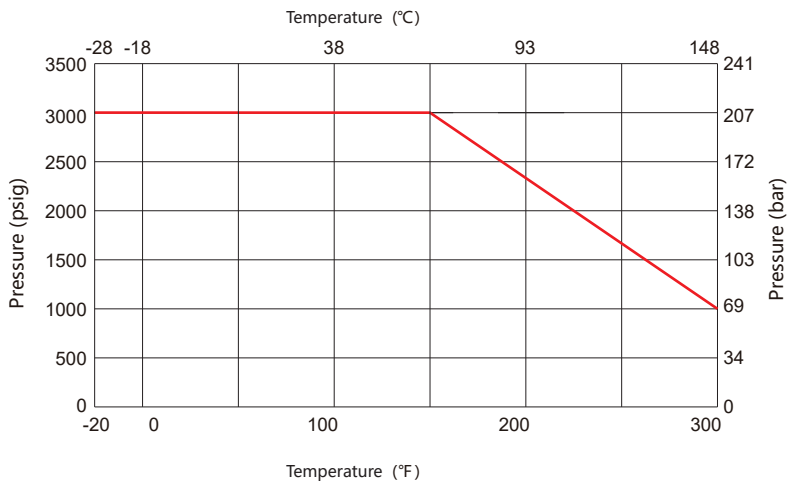
### Typical Applications

- Calibration Systems
- Laboratory Pressure Control
- High Pressure Sampling Systems
- Service & Test Equipment

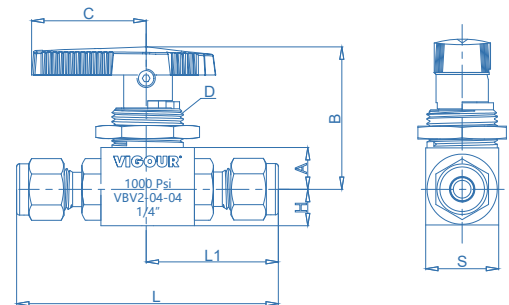
### Technical Data

Type:	Ball valve
Pressure Rating:	1000 / 3000 psig
Materials	
Body:	316
seat:	PTFE
Temperature range:	-54°C to 148°C
Leak rate:	0.1std cc/min@1000psig(69bar)N <sub>2</sub>
Orifice:	Φ2.4~10.3 mm(according to end connections)

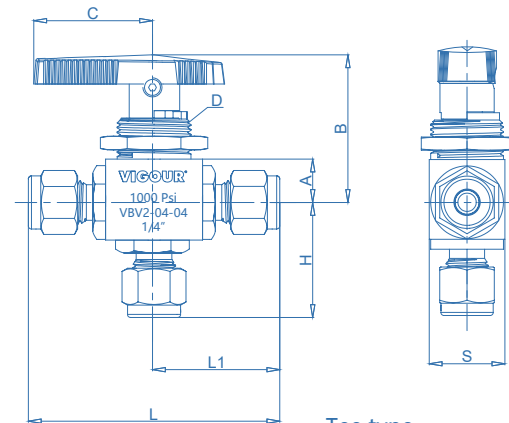
### Pressure vs. Temperature



### Dimensions (mm)



Straight-through type



Tee type



# Ball Valves / Kugelhähne

## VBV2 Series

### Dimensions

End Connections	End Connections Size	Ordering Number	Orifice in.(mm)	Dimensions, in.(mm)							
				L	L1	H	A	B	C	D	S
<b>Straight-through type</b>											
Fractional tube fittings	1/8 in.	SS-VBV2-02-02	0.087 (2.2)	2.39 (60.8)	1.20 (30.4)	0.39 (10)	0.37 (9.5)	1.32 (33.6)	1.15 (29.3)	0.55 (14)	0.79x0.79 (20x20)
	1/4 in.	SS-VBV2-04-04	0.189 (4.8)	2.53 (64.3)	1.27 (32.15)	0.39 (10)	0.37 (9.5)	1.32 (33.6)	1.15 (29.3)	0.55 (14)	0.79x0.79 (20x20)
	3/8 in.	SS-VBV2-06-06	0.197 (5.0)	2.74 (69.6)	1.37 (34.8)	0.39 (10)	0.37 (9.5)	1.32 (33.6)	1.15 (29.3)	0.55 (14)	0.79x0.79 (20x20)
	1/2 in.	SS-VBV2-08-08	0.354 (9.0)	3.25 (82.5)	1.62 (41.25)	0.49 (12.5)	0.49 (12.5)	1.68 (42.7)	1.56 (39.6)	0.75 (19)	0.98x0.98 (25x25)
Metric tube fittings	3mm	SS-VBV2-3M-3M	0.087 (2.2)	2.43 (61.8)	1.22 (30.9)	0.39 (10)	0.37 (9.5)	1.32 (33.6)	1.15 (29.3)	0.55 (14)	0.79x0.79 (20x20)
	6mm	SS-VBV2-6M-6M	0.189 (4.8)	2.57 (65.3)	1.29 (32.65)	0.39 (10)	0.37 (9.5)	1.32 (33.6)	1.15 (29.3)	0.55 (14)	0.79x0.79 (20x20)
	8mm	SS-VBV2-8M-8M	0.197 (5.0)	2.65 (67.3)	1.34 (33.65)	0.39 (10)	0.37 (9.5)	1.32 (33.6)	1.15 (29.3)	0.55 (14)	0.79x0.79 (20x20)
	10mm	SS-VBV2-10M-10M	0.197 (5.0)	2.82 (71.6)	1.41 (35.8)	0.39 (10)	0.37 (9.5)	1.32 (33.6)	1.15 (29.3)	0.55 (14)	0.79x0.79 (20x20)
	12mm	SS-VBV2-12M-12M	0.354 (9.0)	3.29 (83.5)	1.64 (41.75)	0.49 (12.5)	0.49 (12.5)	1.68 (42.7)	1.56 (39.6)	0.75 (19)	0.98x0.98 (25x25)
male thread	1/8 in.	SS-VBV2-02-M2	0.087 (2.2)	1.81 (46)	0.90 (23)	0.39 (10)	0.37 (9.5)	1.32 (33.6)	0.75 (19)	0.55 (14)	0.79x0.79 (20x20)
	1/4 in.	SS-VBV2-04-M4	0.189 (4.8)	2.21 (56)	1.10 (28)	0.39 (10)	0.37 (9.5)	1.32 (33.6)	0.75 (19)	0.55 (14)	0.79x0.79 (20x20)
	3/8 in.	SS-VBV2-06-M6	0.197 (5.0)	2.29 (58)	1.14 (29)	0.39 (10)	0.37 (9.5)	1.32 (33.6)	0.75 (19)	0.55 (14)	0.79x0.79 (20x20)
	1/2 in.	SS-VBV2-08-M8	0.354 (9.0)	2.88 (73)	1.44 (36.5)	0.49 (12.5)	0.49 (12.5)	1.68 (42.7)	0.98 (24.8)	0.75 (19)	0.98x0.98 (25x25)
female thread	1/8 in.	SS-VBV2-02-F2	0.087 (2.2)	1.81 (46)	0.90 (23)	0.39 (10)	0.37 (9.5)	1.32 (33.6)	0.75 (19)	0.55 (14)	0.79x0.79 (20x20)
	1/4 in.	SS-VBV2-04-F4	0.189 (4.8)	2.21 (56)	1.10 (28)	0.39 (10)	0.37 (9.5)	1.32 (33.6)	0.75 (19)	0.55 (14)	0.79x0.79 (20x20)
	3/8 in.	SS-VBV2-06-F6	0.197 (5.0)	2.29 (58)	1.14 (29)	0.39 (10)	0.37 (9.5)	1.32 (33.6)	0.75 (19)	0.55 (14)	0.79x0.79 (20x20)
	1/2 in.	SS-VBV2-08-F8	0.354 (9.0)	2.88 (73)	1.44 (36.5)	0.49 (12.5)	0.49 (12.5)	1.68 (42.7)	0.98 (24.8)	0.75 (19)	0.98x0.98 (25x25)
<b>Tee type</b>											
Fractional tube fittings	1/8 in.	SS-VBV2-02-02-T	0.19 (4.8)	2.51 (63.8)	1.26 (31.9)	1.45 (36.9)	0.43 (11)	1.50 (38)	1.18 (30)	0.55 (14)	0.87 (22)
	1/4 in.	SS-VBV2-04-04-T	0.19 (4.8)	2.65 (67.3)	1.33 (33.7)	1.53 (38.8)	0.43 (11)	1.50 (38)	1.18 (30)	0.55 (14)	0.87 (22)
	3/8 in.	SS-VBV2-06-06-T	0.19 (4.8)	2.83 (72)	1.42 (36)	1.61 (41)	0.43 (11)	1.50 (38)	1.18 (30)	0.55 (14)	0.87 (22)
Metric tube fittings	3mm	SS-VBV2-3M-3M-T	0.19 (4.8)	2.50 (63.4)	1.25 (31.7)	1.49 (36.8)	0.43 (11)	1.50 (38)	1.18 (30)	0.55 (14)	0.87 (22)
	6mm	SS-VBV2-6M-6M-T	0.19 (4.8)	2.67 (67.8)	1.33 (33.7)	1.54 (39)	0.43 (11)	1.50 (38)	1.18 (30)	0.55 (14)	0.87 (22)
	8mm	SS-VBV2-8M-8M-T	0.19 (4.8)	2.76 (70.1)	1.38 (35)	1.58 (40.1)	0.43 (11)	1.50 (38)	1.18 (30)	0.55 (14)	0.87 (22)
	10mm	SS-VBV2-10M-10M-T	0.19 (4.8)	2.89 (73.5)	1.44 (36.5)	1.65 (42)	0.43 (11)	1.50 (38)	1.18 (30)	0.55 (14)	0.87 (22)

### Ordering Information

**SS - VBV2 - 04-04 - T - L**

**Material**  
SS: 316

**End Connections**

Fractional tube fitting: see above table

Metric tube fittings: see above table

Fractional NPT: see above table

**Pressure**

L: 1000 psi

H: 3000 psi

**Option**

None: Straight-through type

T: Tee type

