

### Product Features

- Pressure control panel
- VSR-2E Series single-stage regulator
- Brass chrome plated body for inert, reactive, flammable and oxidizing gas and mixtures up to grade 6.0
- Stainless steel 316L body for corrosive gases
- Modular design
- Diaphragm type shut-off valves
- Suitable for inlet pressure up to 300 bar
- Easy installation into safety cabinet for gas cylinders
- Tested for use with oxygen



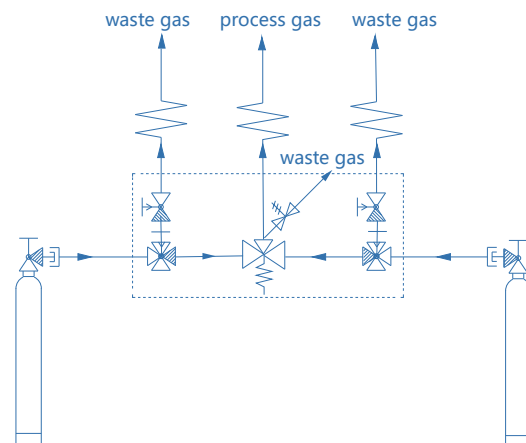
### Typical Applications

- Component Testing
- Calibration Systems
- Laboratory Pressure Control
- High Pressure Sampling Systems
- Service & Test Equipment

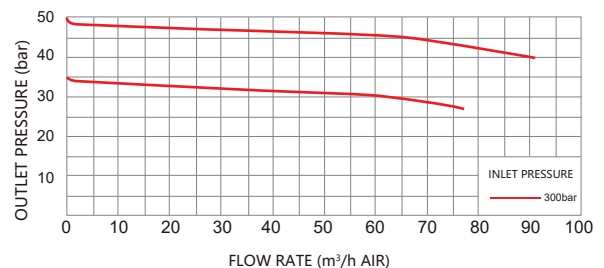
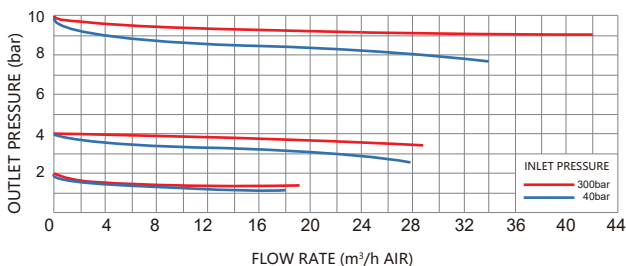
### Technical Data

|                            |                                |
|----------------------------|--------------------------------|
| Type:                      | single-stage                   |
| Inlet pressure P1:         | max. 300 bar                   |
| Outlet pressure P2:        | 2/4/10/20/35/50 bar            |
| Materials                  |                                |
| Body regulator:            | see ordering info              |
| Valve seat (regulator):    | PCTFE                          |
| (shut-off valve):          | PCTFE                          |
| Diaphragm (regulator):     | Hastelloy®C276                 |
| (valve):                   | Elgiloy®                       |
| O-ring:                    | Viton® (FKM)                   |
| (option)                   | Kalrez® (FFKM)                 |
| Filter:                    | SS 316L                        |
| Inlet connection:          | 1/4"NPT(F)                     |
| Outlet connection:         | 1/4"NPT(F)                     |
| Temperature range:         | -30°C to +74°C                 |
| Leak rate (to atmosphere): | 1x10 <sup>-8</sup> mbar l/s He |
| (via seat):                | 1x10 <sup>-6</sup> mbar l/s He |
| Weight:                    | 4.5kg                          |

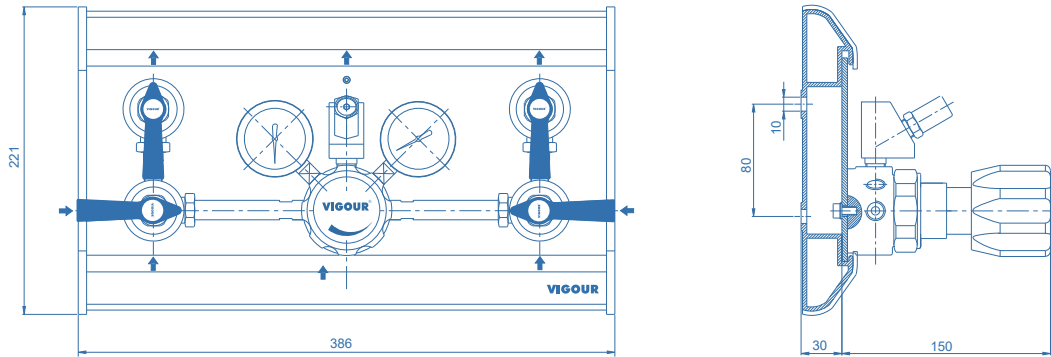
### Schematic Drawing



### Flow Chart



**Dimensions (mm)**



**Ordering Information**

**VSP - 2S - 300 - 10 - P - P - V - N2**

|  |  |   |   |   |   |  |
|--|--|---|---|---|---|--|
| <p><b>Body Material</b></p> <p>S: 316L</p> <p>C: Chrome Plated Brass</p> | <p><b>Inlet Pressure P<sub>1</sub></b></p> <p>40: 40 bar</p> <p>100: 100 bar</p> <p>200: 200 bar</p> <p>300: 300 bar</p> | <p><b>Outlet Pressure P<sub>2</sub></b></p> <p>2: to 2 bar</p> <p>4: to 4 bar</p> <p>10: to 10 bar</p> <p>20: to 20 bar</p> <p>35: to 35 bar (Non Relief valve)</p> <p>50: to 50 bar (Non Relief valve)</p> | <p><b>Type Of Gas</b></p> <p>Please specify type of gas</p> | <p><b>Option</b></p> <p>None: Includes inlet valve and purge valve</p> <p>V: Including inlet valve, not including purge valve</p> | <p><b>Outlet Pressure Indication</b></p> <p>P: Pressure gauge</p> <p>K: Contact gauge</p> | <p><b>Inlet Pressure Indication</b></p> <p>P: Pressure gauge</p> <p>K: Contact gauge</p> |
|--|--|---|---|---|---|--|

