

Product Features

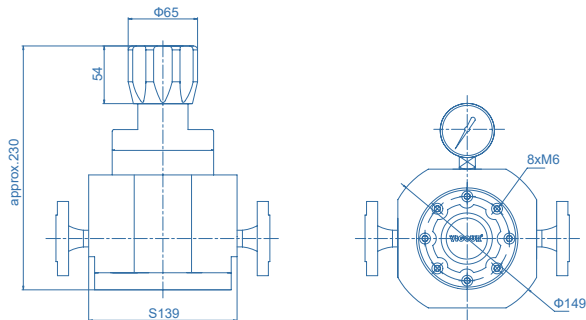
- Line pressure regulator
- Stainless steel 316L body
- 3 or 4 ports configuration
- Stable outlet pressure
- Tested for use with oxygen

Typical Applications

- Pharmaceutical Industry
- Food and Beverage Industry
- Integrated equipment matching



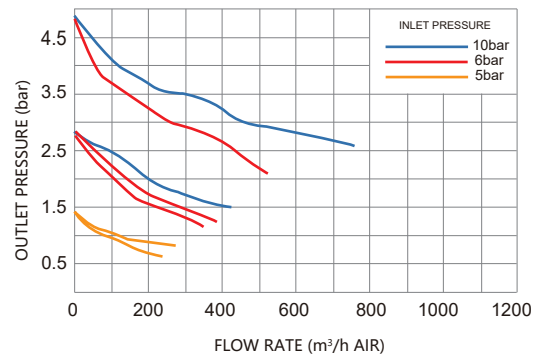
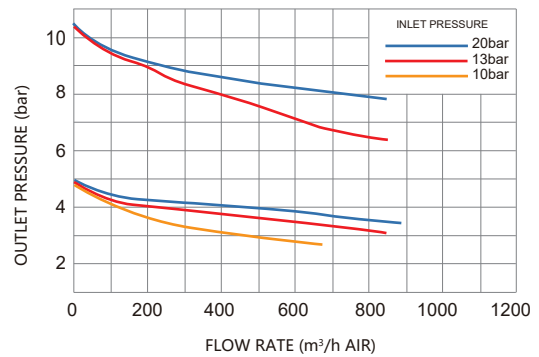
Dimensions (mm)



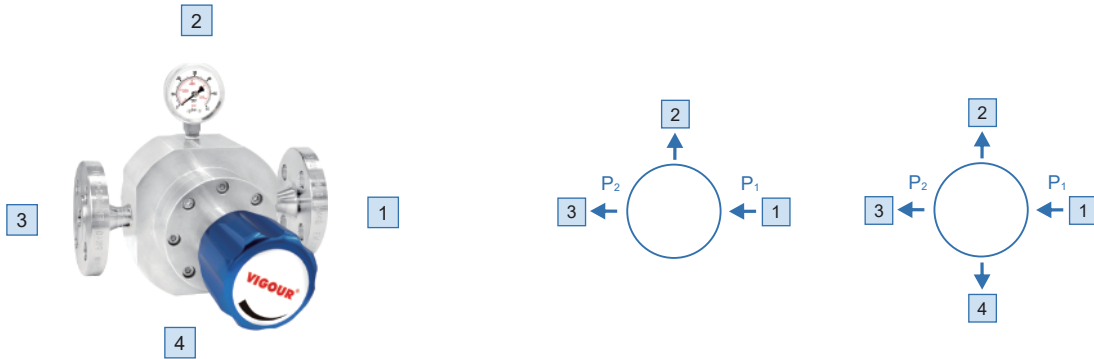
Technical Data

Type:	single-stage
Inlet pressure P1:	max. 20 bar
Outlet pressure P2:	2/4/7/10 bar
Materials	
body regulator:	316L
Valve seat:	EPDM
Diaphragm:	PTFE+Neoprene
Inlets and Outlets:	see ordering info
Temperature range:	-15°C~+74°C
Leak rate:	Bubble-tight
Flow capacity:	Cv=10
Weight:	19.4kg

Flow Chart



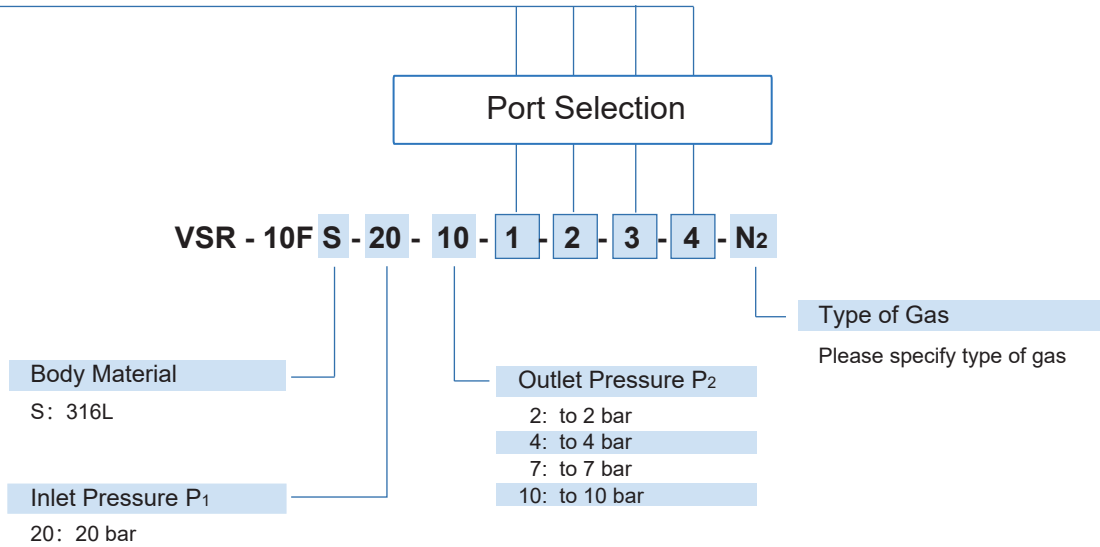
Ordering Information



Inlets / Outlets

- | | | |
|------------------|---------------------|---------|
| D20: DN20 Flange | D50: DN50 Flange | B: Plug |
| D25: DN25 Flange | D80: DN80 Flange | |
| D40: DN40 Flange | P: Gauge (Psig/bar) | |

* Other connection standard, consult factory.



Ordering Example

Example: VSR - 10FS - 20 - 10 - D20 - P - D20 - B - N2

1 - 2 - 3 - 4

