

Dual Stage Regulators / Zweistufige Druckminderer

VSR-11E Series

Product Features

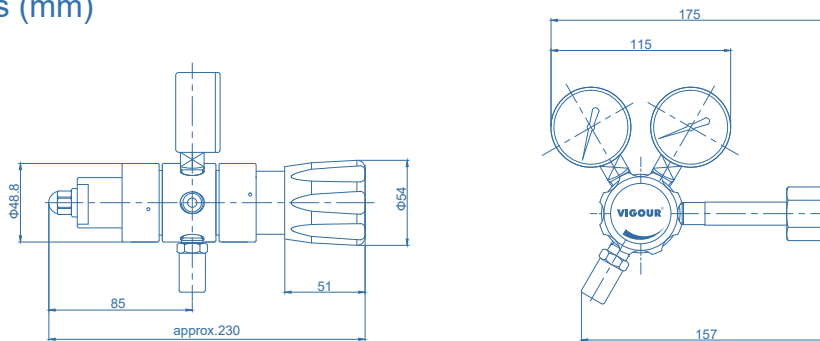
- Dual stage pressure regulator
- Brass chrome plated body and bonnet for inert, reactive, flammable and oxidizing gas and mixtures up to grade 6.0
- Stainless steel 316L body and bonnet for corrosive gases
- Stable outlet pressure
- Simple outlet pressure limitation by handwheel
- Tested for use with oxygen

Typical Applications

- Component Testing
- Calibration Systems
- Laboratory Pressure Control
- High Pressure Sampling Systems
- Service & Test Equipment



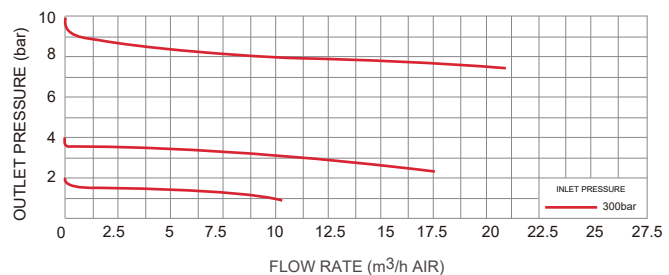
Dimensions (mm)



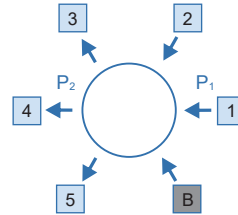
Technical Data

Type:	Dual-stage
Inlet pressure P1:	max. 300 bar
Outlet pressure P2:	2/4/8/10/20 bar
Materials	
Body regulator, Relief valve:	see ordering info
Valve seat:	PCTFE
Diaphragm:	Hastelloy® C276
Filter:	SS 316L
Inlets and Outlets:	1/4" NPT(F)
Temperature range:	-30°C to +74°C
Leak rate: (to atmosphere)	1x10 ⁻⁸ mbar l/s He
(Via seat)	1x10 ⁻⁶ mbar l/s He
Flow capacity:	Cv=0.07
Weight:	2.10kg

Flow Chart



Ordering Information

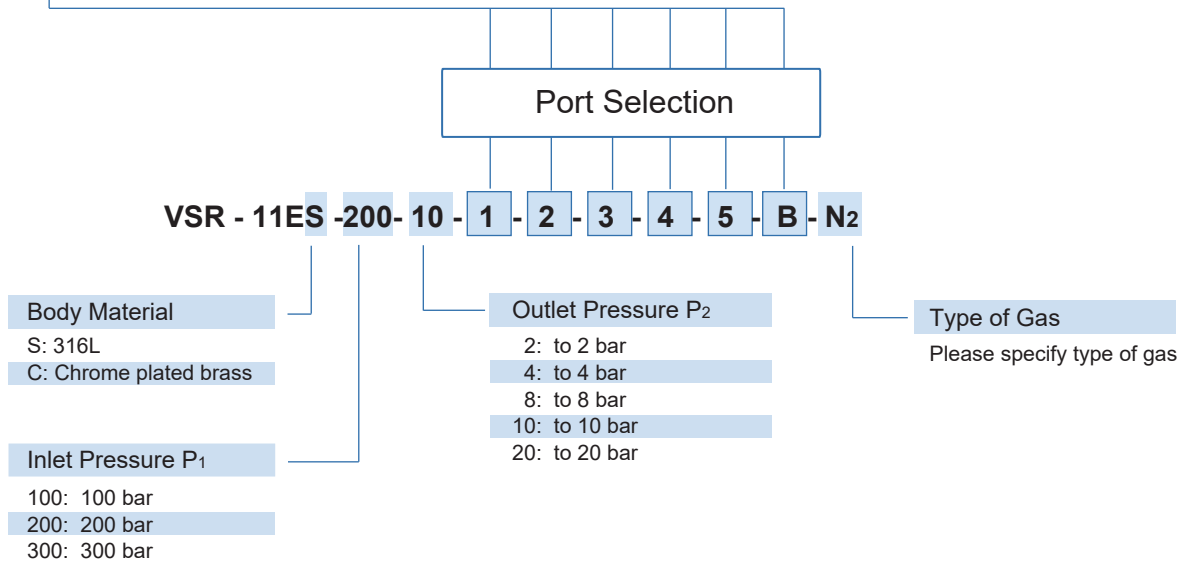


Inlets / Outlets	
DIN: Germany	NF: French
CGA: USA	JIS: Japan
BSP: British	F4: 1/4" NPT(F)
GB: China	M4: 1/4" NPT(M)
UNI: Italy	O2: 1/8" Tube fitting

- 04: 1/4" Tube fitting
- 06: 3/8" Tube fitting
- 6M: 6mm Tube fitting
- 8M: 8mm Tube fitting
- P: Gauge (Psig/bar)

- R: Relief valve
- B: Plug

* Other connection standard, consult factory.



Ordering Example

Example: VSR - 11EC - 200 - 10 - F4 - P - P - F4 - B - B - N2

1
2
3
4
5
6



* For mixed gases, please specify cylinder connection standard and thread when ordering.

