

Tapping Points / Entnahmestellen

VSR-1ET Series

Product Features

- Wall-mounting tapping points
- VSR-1EL series single-stage regulator
- Brass chrome plated body and bonnet for inert, reactive, flammable and oxidizing gas and mixtures up to grade 6.0
- Stainless steel 316L body and bonnet for corrosive gases
- Modular design
- Diaphragm type shut-off valves
- Suitable for inlet pressure up to 100 bar
- Tested for use with oxygen

Typical Applications

- Component Testing
- Calibration Systems
- Laboratory Pressure Control
- High Pressure Sampling Systems
- Service & Test Equipment

Technical Data

Type:	single-stage
Inlet pressure P1:	max. 100 bar
Outlet pressure P2:	2/4/10/20/50 bar
Materials	
Body regulator and valves:	see ordering info
Valve seat (regulator):	PCTFE
(shut-off valve):	PEEK
Diaphragm (regulator):	Hastelloy [®] C276
(valve):	Hastelloy [®] C276
Filter:	SS 316L
Temperature range:	-30°C to +74°C
Leak rate (to atmosphere):	1x10 ⁻⁸ mbar l/s He
(via seat):	1x10 ⁻⁶ mbar l/s He
Flow capacity:	Cv=0.07
Weight:	2.5kg

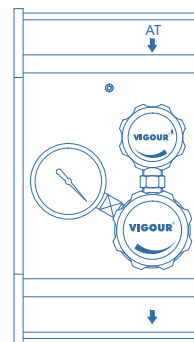


"A" type

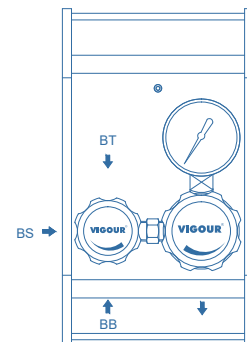


"B" type

Schematic Drawing

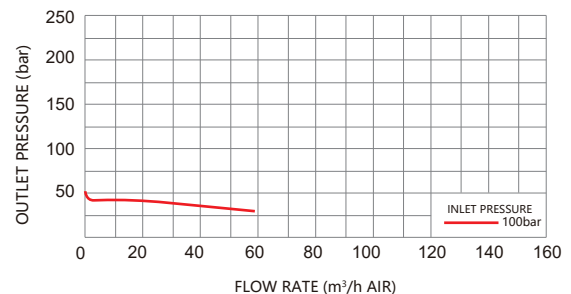
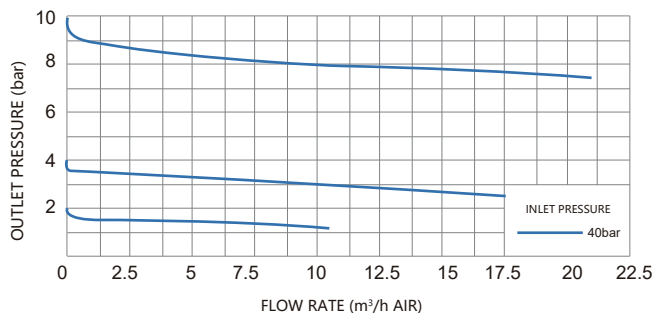


"A" type:
AT: Top-inlet

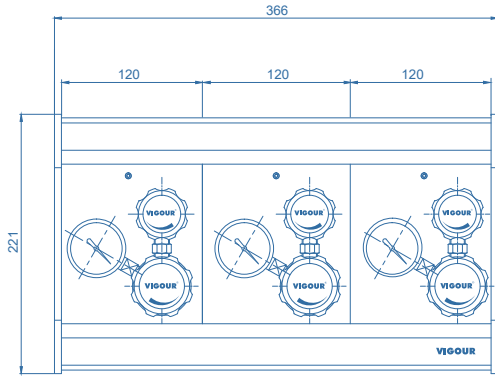


"B" type:
BT: Top-inlet
BB: Bottom-inlet
BS: side-inlet

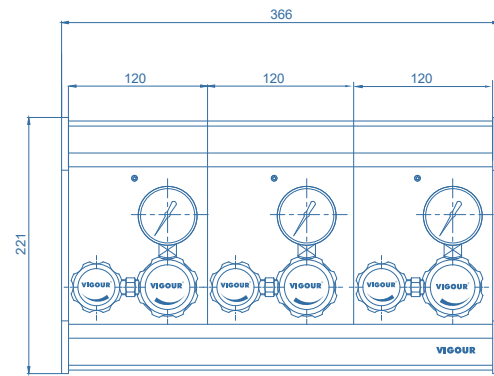
Flow Chart



Dimensions (mm)



"A" type



"B" type

Ordering Information

VSR - 1ETS - 100 - 10 - AT - N₂

Body Material

S: 316L

C: Chrome Plated Brass

Inlet Pressure P₁

40: 40 bar

100: 100 bar

Outlet Pressure P₂

2: to 2 bar

4: to 4 bar

10: to 10 bar

20: to 20 bar

50: to 50 bar

Type Of Gas

Please specify type of gas

Inlet Type

AT: "A" type Top-inlet

BT: "B" type Top-inlet

BB: "B" type Bottom-inlet

BS: "B" type Side-inlet

