

Tapping Points / Entnahmestellen

VSR-2T Series

Product Features

- Wall-mounting tapping points
- VSR-2EL series single-stage regulator
- Brass chrome plated body and bonnet for inert, reactive, flammable and oxidizing gas and mixtures up to grade 6.0
- Stainless steel 316L body and bonnet for corrosive gases
- Modular design
- Diaphragm type shut-off valves
- Suitable for inlet pressure up to 100 bar
- Tested for use with oxygen

Typical Applications

- Component Testing
- Calibration Systems
- Laboratory Pressure Control
- High Pressure Sampling Systems
- Service & Test Equipment

Technical Data

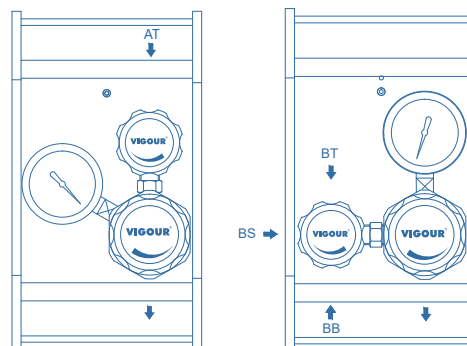
Type:	single-stage
Inlet pressure P1:	max. 100 bar
Outlet pressure P2:	2/4/10/20/35/50 bar
Materials	
Body regulator and valves:	see ordering info
Valve seat (regulator):	PCTFE
(shut-off valve):	PEEK
Diaphragm (regulator):	Hastelloy® C276
(valve):	Hastelloy® C276
O-ring:	Viton® (FKM)
(option)	Kalrez® (FFKM)
Filter:	SS 316L
Temperature range:	-30°C to +74°C
Leak rate (to atmosphere):	1x10 ⁻⁸ mbar l/s He
(via seat):	1x10 ⁻⁶ mbar l/s He
Flow capacity:	
(Outlet pressure:2/4/10/20 bar)	Cv=0.28
(Outlet pressure:35/50 bar)	Cv=0.08
Weight:	3.5kg



"A" type

"B" type

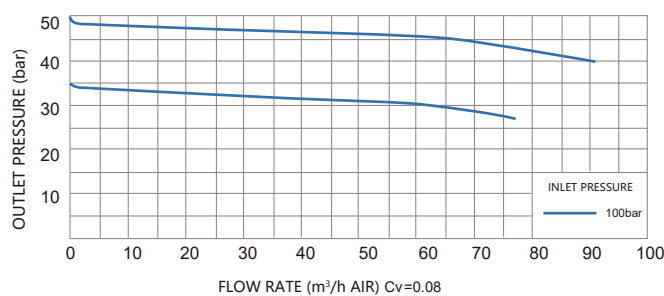
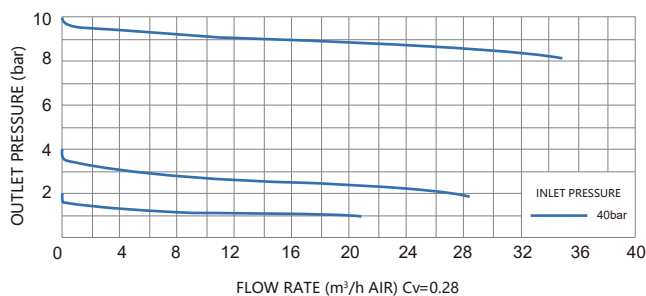
Schematic Drawing



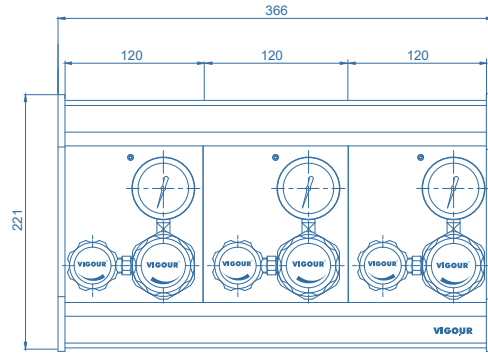
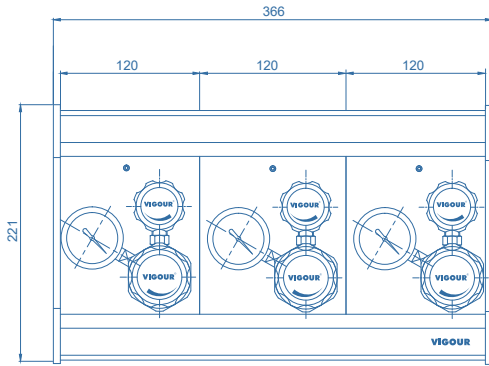
"A" type
AT: Top-inlet

"B" type:
BT: Top-inlet
BB: Bottom-inlet
BS: Side-inlet

Flow Chart



Dimensions (mm)



Ordering Information

VSR - 2TS - 100 - 10 - AT - N₂

Body Material
S: 316L
C: Chrome Plated Brass

Inlet Pressure P₁
40: 40 bar
100: 100 bar

Outlet Pressure P₂
2: to 2 bar
4: to 4 bar
10: to 10 bar
20: to 20 bar
35: to 35 bar
50: to 50 bar

Type Of Gas
Please specify type of gas

Inlet Type
AT: "A" type Top-inlet
BT: "B" type Top-inlet
BB: "B" type Bottom-inlet
BS: "B" type Side-inlet

