

VSR-53 Series

Product Features

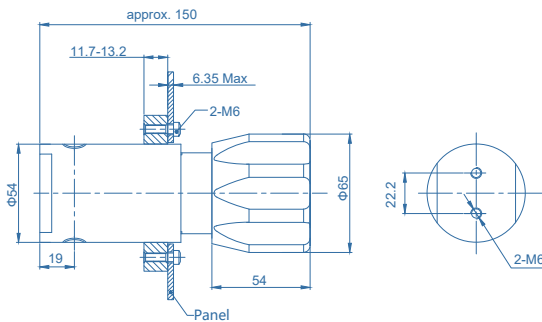
- Function similar to relief valve, ease of adjustment
- Panel and line mounting
- Accuracy: $\pm 1\%$ of central pressure range
- Bubble-tight shut-off at all reseal pressures
- Tested for use with oxygen

Typical Applications

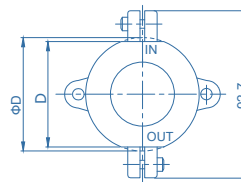
- Pump discharge pressure control
- Reactor pressure control
- Over-pressurization relief



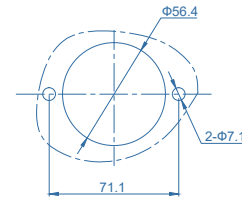
Dimensions (mm)



Inlets and Outlets	D
1/4 NPT(F)	58.4
1/4, 3/8 NPT(F)	$\Phi 63$
3/8 NPT(F) HU	78.2
1/2 NPT(F)	84.6



Stent models: LV-53

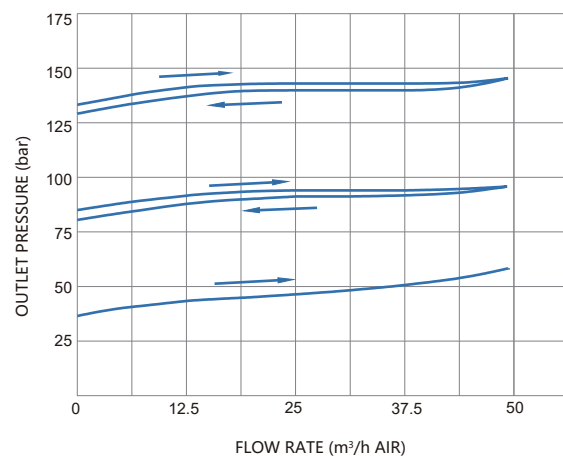


Panel Cut-Out

Technical Data

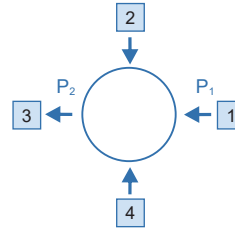
Type:	single-stage
Inlet pressure P1:	max. 300 bar
Controlled pressure:	see ordering info
Materials	
Body regulator:	316L
Valve seat:	PCTFE
O-ring:	Viton [®] (FKM)
(option)	Kalrez [®] (FFKM)
Filter:	SS 316L
Piston:	SS 316L
Inlets and Outlets:	see ordering info
Temperature range:	-30°C to +74°C
Leak rate:	Bubble-tight
Flow capacity	CV=0.14 (<100bar) CV=0.1(100~300bar)
Weight:	2.2 kg

Flow Chart



Wir bieten Lösungen für Ihre Ideen!
 We offer solutions regarding your ideas!

Ordering Information



Inlets / Outlets

F4: 1/4"NPT(F) P: Gauge (Psig/bar)
 F6: 3/8"NPT(F) B: Plug
 F8: 1/2"NPT(F)

* Other connection standard, consult factory.

Port Selection

VSR - 53L S - 50 - 1 - 2 - 3 - 4 - N₂

Type

L: Line mounting
 P: Panel mounting

Body Material

S: 316L

Type of Gas

Please specify type of gas

Controlled Pressure Range

35: 0.35-35 bar
 50: 0.35-50 bar
 100: 0.7-100 bar
 200: 1.72-200 bar
 300: 3.45-300 bar

Ordering Example

Example: VSR - 53LS - 50 - F4 - F4 - F4 - B - N₂

