

## Product Features

- Diaphragm design high pressure piston regulator
- Line and Panel mounting pressure regulator
- Brass chrome plated body and bonnet for inert, reactive, flammable and oxidizing gas and mixtures up to grade 6.0
- Stainless steel 316L body for corrosive gases
- 4 ports flexible configuration
- Stable outlet pressure
- Simple outlet pressure limitation by handwheel
- Inlet filter
- Tested for use with oxygen



## Typical Applications

- Component Testing
- Calibration Systems
- Laboratory Pressure Control
- High Pressure Sampling Systems
- Service & Test Equipment

VSR-6EL

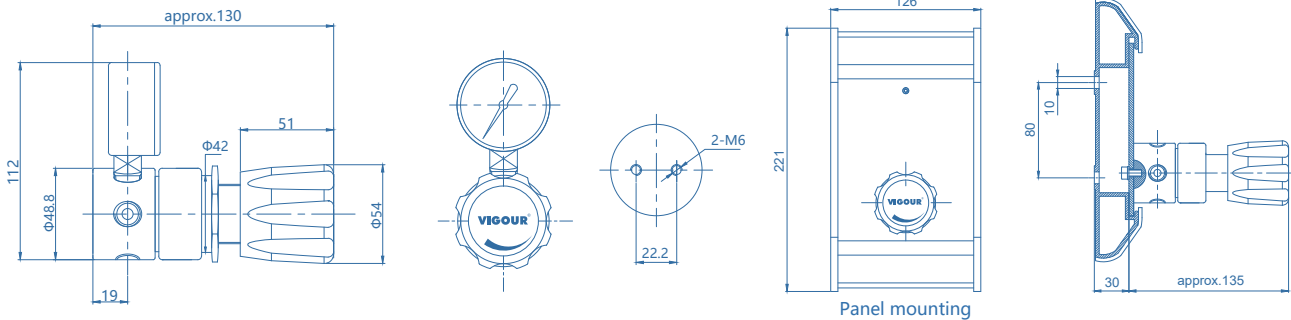


VSR-6ELP



Mounting panel  
Model No. : VSR-T-BPB

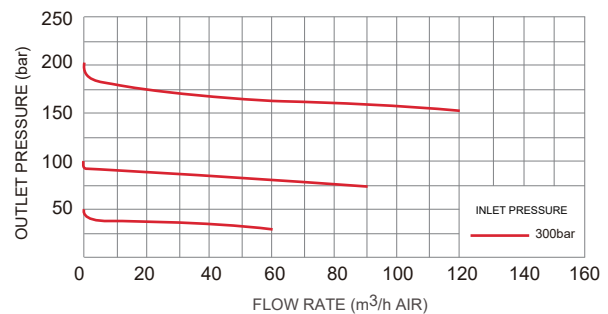
## Dimensions (mm)



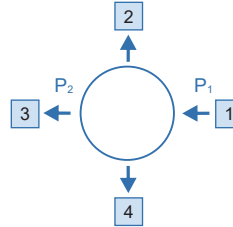
## Technical Data

Type:	single-stage
Inlet pressure P1:	max. 300 bar
Outlet pressure P2:	50/100/200 bar
Materials	
Body regulator:	see ordering info
Valve seat:	PCTFE
Piston:	SS 316L
O-ring:	Viton® (FKM)
(option)	Kalrez® (FFKM)
Filter:	SS 316L
Inlets and Outlets:	1/4" NPT(F)
Temperature range:	-30°C to +74°C
Leak rate: (to atmosphere)	1X10 <sup>-8</sup> mbar l/s He
(Via seat)	1X10 <sup>-6</sup> mbar l/s He
Flow capacity:	Cv=0.15
Weight:	1.13kg

## Flow Chart



## Ordering Information



### Inlets / Outlets

F4: 1/4" NPT(F)	02: 1/8" Tube fitting	8M: 8mm Tube fitting	B: Plug
M4: 1/4" NPT(M)	04: 1/4" Tube fitting	TW6M: 6mm Weld tube	
F6: 3/8" NPT(F)	06: 3/8" Tube fitting	TW8M: 8mm Weld tube	
M6: 3/8" NPT(M)	6M: 6mm Tube fitting	P: Gauge (Psig/bar)	

\* Other connection standard, consult factory.

### Port Selection

VSR - 6EL - S - 300 - 50 - 1 - 2 - 3 - 4 - N<sub>2</sub>

#### Type

L: Line  
LP: Panel

#### Body Material

S: 316L  
C: Chrome Plated Brass

#### Inlet Pressure P<sub>1</sub>

100: 100 bar  
200: 200 bar  
300: 300 bar

#### Outlet Pressure P<sub>2</sub>

50: to 50 bar  
100: to 100 bar  
200: to 200 bar

#### Type of Gas

Please specify type of gas

## Ordering Example

Example: VSR - 6EL C - 200 - 50 - F4 - P - F4 - B - O<sub>2</sub>

1 - 2 - 3 - 4



\* For mixed gases, please specify cylinder connection standard and thread when ordering.

