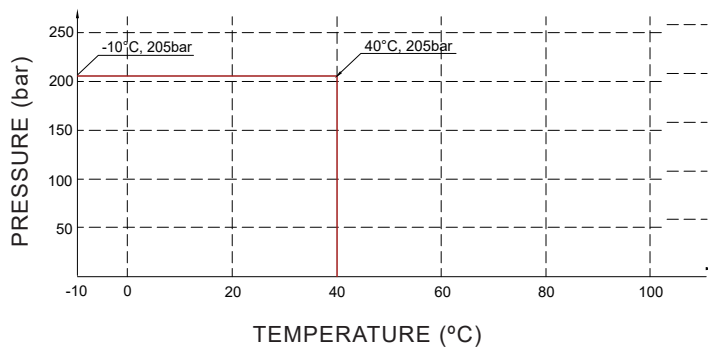


Product Feature

- Suitable for ultra pure, flammable or toxic fluid lines in semiconductor manufacturing equipment and facilities
- Direct diaphragm construction with superior sealing performance, remarkable durability, compactness and particle and dead-space-free performance
- Valve open and closed option is easily visible at a glance.
- Excellent gas displacement characteristics
- EP treatment is standard for all wetted surfaces
- Standard seat material is PEEK, Polyimide/PFA is option

Temperature / Pressure Rating



1/4 Type



1/4 Type



1/2 Type



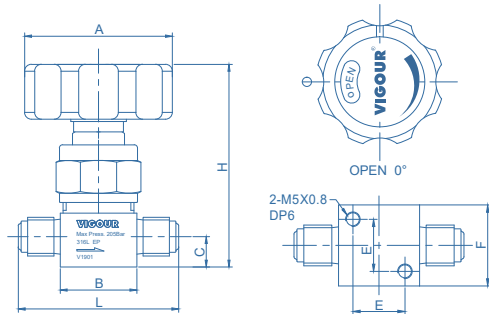
1/2 Type

Technical Data

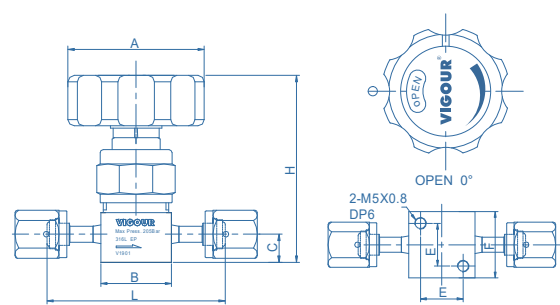
Max. Working Pressure:	3000 psig (205 bar)
Pneumatic Operating Pressure:	58~87psig (4-6bar)
Max. Working Temp.:	-10°F ~ 150°F (-23°C ~ 65°C)
Surface finish:	10µin. Ra
Materials	
Body:	see ordering info
Diaphragm:	Elgiloy®
Seat packing:	PEEK
Handle:	AL
Internal Leakage Allowance:	1x10 ⁻⁹ mbar l/s He
External Leakage Allowance:	1x10 ⁻⁹ mbar l/s He
Weight:	approx. 0.27kg (actuator not included)



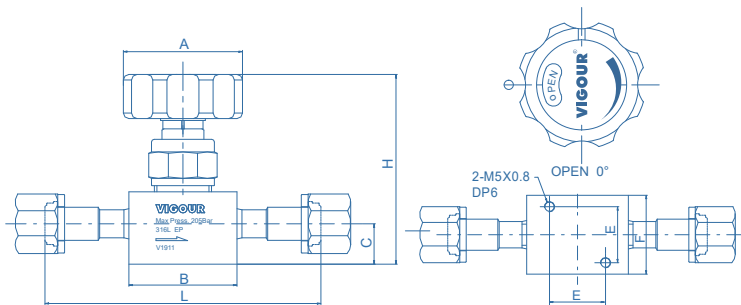
Dimensions (mm)



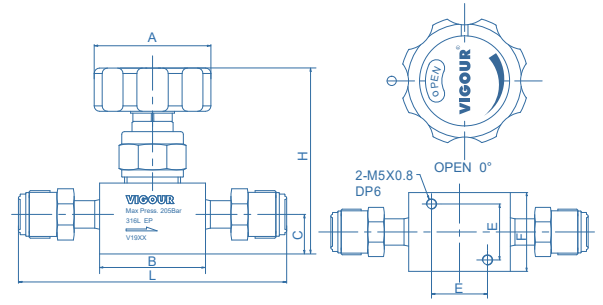
1/4 manual actuator (VFS Fittings)



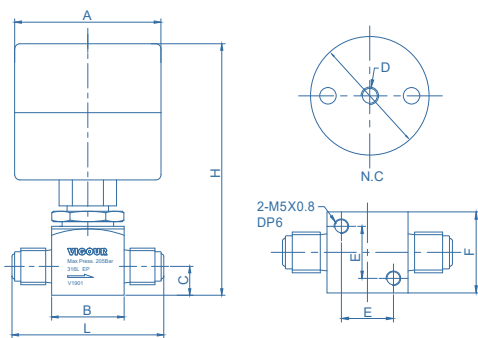
1/4 manual actuator (Face Seal Female)



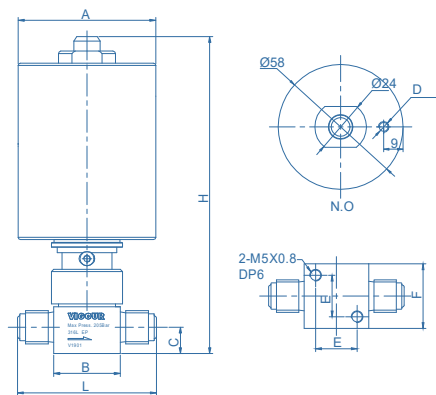
1/2 manual actuator (Face Seal Female)



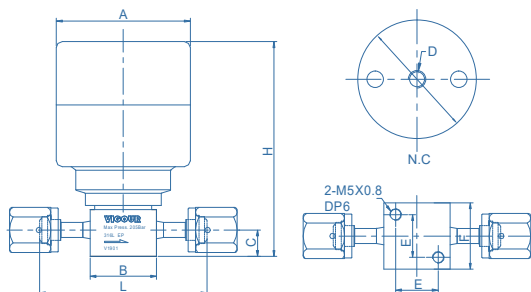
3/8, 1/2 manual actuator (VFS Fittings)



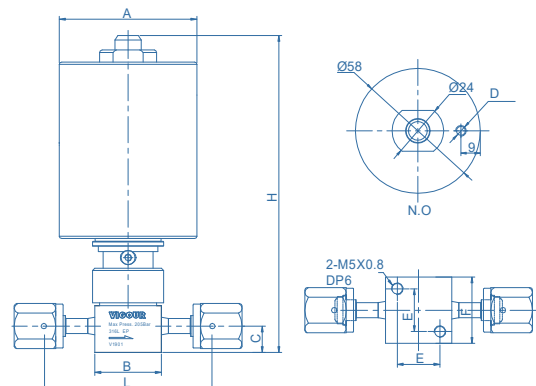
1/4 pneumatic actuator (VFS Fittings N.C)



1/4 pneumatic actuator (VFS Fittings N.O)



1/4 pneumatic actuator (Face Seal Female N.C)

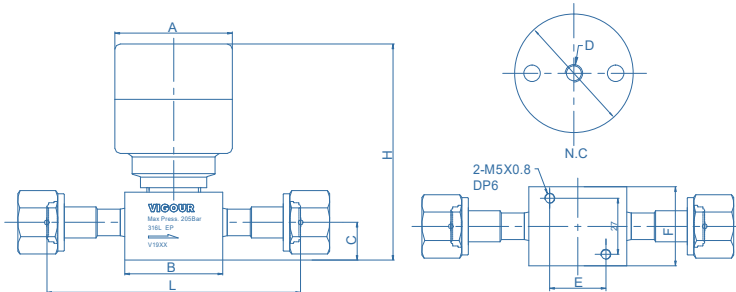


1/4 pneumatic actuator (Face Seal Female N.O)

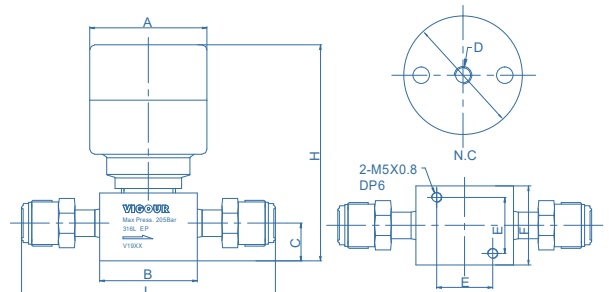


Diaphragm Valves

VDV33UB Series



1/2" pneumatic actuator (Face Seal Female N.C)



3/8", 1/2" pneumatic actuator (VFS Fittings N.C)

manual actuator

End Connections	Orifice (mm)	Dimensions (mm)						
		A	B	C	E	F	L	H
1/4" VFS Fittings (male)	4.4	Φ54	28	11.1	18	28	58.6	74
1/4" VFS Fittings (female)	4.4	Φ54	28	11.1	18	28	71.6	74
3/8" VFS Fittings (male)	7	Φ54	47.1	18.2	27	38	122.2	86
1/2" VFS Fittings (male)	7	Φ54	47.1	18.2	27	38	122.2	86
1/2" VFS Fittings (female)	7	Φ54	47.1	18.2	27	38	123	86

pneumatic actuator, normally opened / normally closed

End Connections	Actuator	Orifice (mm)	Dimensions (mm)							
			A	B	C	D	E	F	L	H
1/4" VFS Fittings (male)	N.C	4.4	Φ56.5	28	11.1	M5x0.8	18	28	58.6	90.5
1/4" VFS Fittings (male)	N.O	4.4	Φ58	28	11.1	M5x0.8	18	28	58.6	134
1/4" VFS Fittings (female)	N.C	4.4	Φ56.5	28	11.1	M5x0.8	18	28	71.6	90.5
1/4" VFS Fittings (female)	N.O	4.4	Φ58	28	11.1	M5x0.8	18	28	71.6	134
3/8" VFS Fittings (male)	N.C	7	Φ56.5	47.1	18.2	M5x0.8	27	38	122.2	105
1/2" VFS Fittings (male)	N.C	7	Φ56.5	47.1	18.2	M5x0.8	27	38	122.2	105
1/2" VFS Fittings (female)	N.C	7	Φ56.5	47.1	18.2	M5x0.8	27	38	123	105

1/4", 3/8", 1/2" face seal fitting dimensions for reference, other connections please contact factory.

Ordering Information

VDV33UBS - M - MV4 - MV4 - PA

Materials

S: 316L
SLV: 316L secondary remelt

Actuator

M: manual actuator
PO: pneumatic actuator, normally opened *
PC: pneumatic actuator, normally closed

* Normally opened available with connection size 1/4" thch.

Valve Seat Option

None: PEEK(standard)
VS: Vespel®
PA: PFA

End Connection

MV4: 1/4" face seal male
FV4: 1/4" face seal female
TW4: 1/4" tube weld
MV6: 1/2" face seal male 3/8" O.D.
FV6: 1/2" face seal female 3/8" O.D.
TW6: 3/8" tube weld
MV8: 1/2" face seal male
FV8: 1/2" face seal female
TW8: 1/2" tube weld

* Other connection standard, consult factory

