

Single Stage Pressure Regulators

VSR-410UA Series

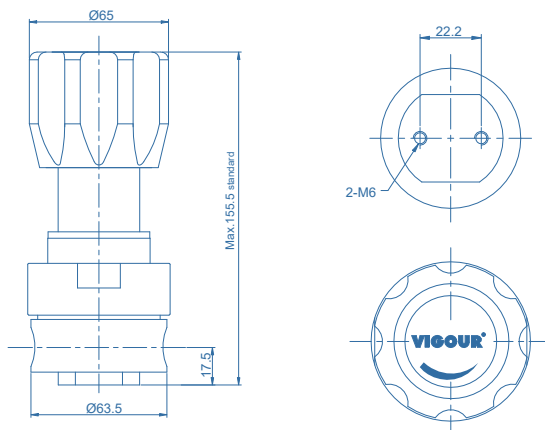
VIGOUR[®]

Wir bieten Lösungen für Ihre Ideen!
We offer solutions regarding your ideas!

Product Feature

- Single-stage pressure regulator
- High inlet pressure type: Max. 3000 psig
- All gas-wetted parts made of stainless steel SS 316L, Hastelloy C276 and PCTFE respectively
- High control accuracy
- Simple outlet pressure limitation by hand-wheel
- Cleaned for O2 service
- Tied-diaphragm design
- Sub-atmospheric pressure delivery option

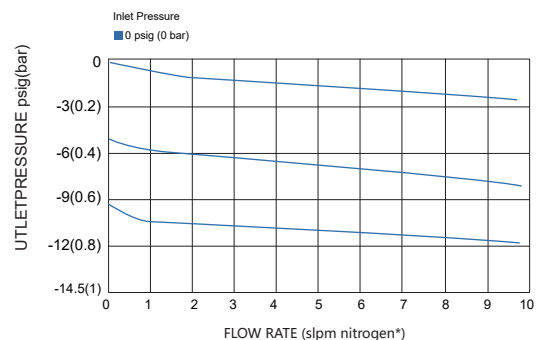
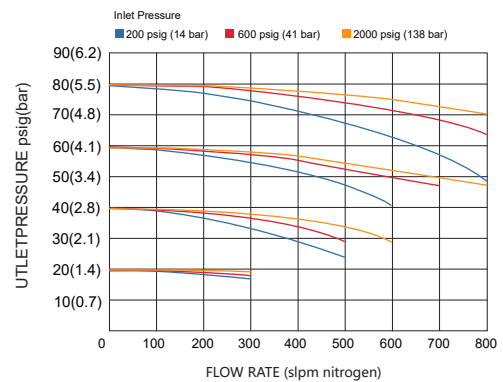
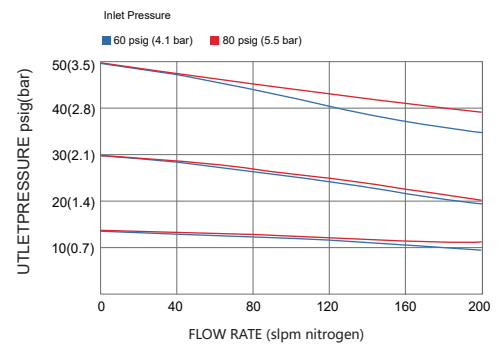
Dimensions (mm)



Technical Data

Type	single-stage
Inlet pressure P1	max. 2300 psig
Outlet pressure P2	-12.5~30/30/60/100/150 psig
Materials	
Body	see ordering info
Valve seat	PCTFE (Vespe [®] optional)
Diaphragm	Hastelloy [®] C276
Inlets and outlets	1/4" / 3/8" or 1/2" NPT(F) and tube fitting
Bonnet port	1/8" NPT(F) (on panel mount option, bonnet port is not threaded)
Temperature range	-40°F to +160°F (-40°C to +71°C)
Leak rate (to atmosphere)	1x10 ⁻⁹ mbar l/s He
Leak rate (via seat)	1x10 ⁻⁸ mbar l/s He
Flow capacity	Cv=0.45
Weight	2kg

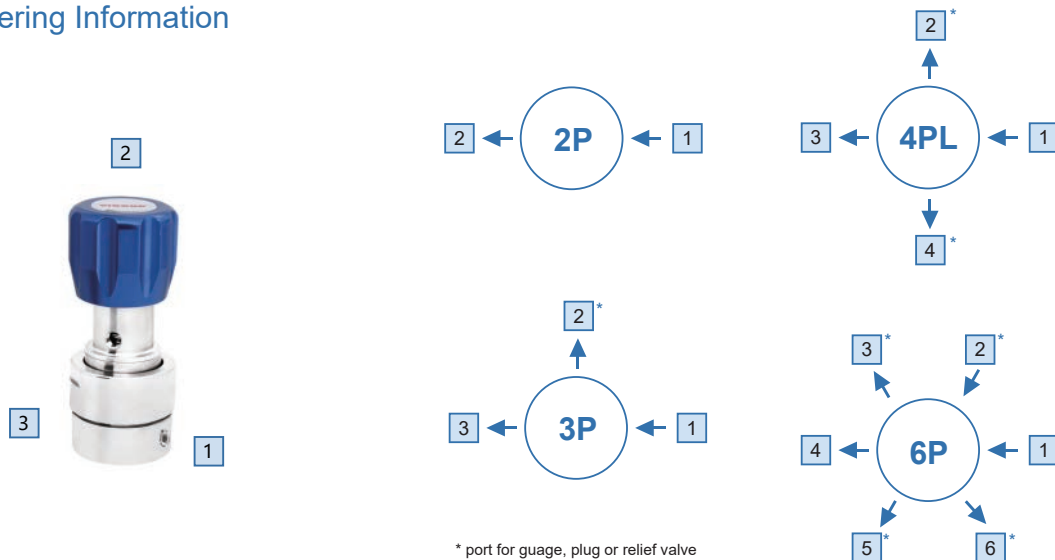
Flowchart



* The volumetric flow rate under normal conditions (0°C, 1 atm) when N₂ gas is flowing.



Ordering Information



Inlet/Outlet Connection

F4: 1/4" NPT(F)	04: 1/4" tube fitting	P: Gauge
F6: 3/8" NPT(F)	06: 3/8" tube fitting	R: relief valve
F8: 1/2" NPT(F)	08: 1/2" tube fitting	B: plug

* Other connection standard, consult factory

Port Selection

VSR - 410UAPS - 160 - 4 - 3P - 1 - 2 - 3

Installation

None: bonnet port (1/8" FNPT)
P: panel mount *

*panel hole Φ 40mm

Materials

S: 316L

Inlet Pressure

21: 300 psig
160: 2300 psig (standard)
200: 3000 psig*

* Not available with outlet pressure:
VC2 / V2 / V4 / 2 / 4

Outlet Pressure

VC2: -12.5~30 psig*
V2: Vac to 30 psig
V4: Vac to 60 psig
V7: Vac to 100 psig
V10: Vac to 150 psig
2: to 30 psig
4: to 60 psig
7: to 100 psig
10: to 150 psig

* VC2 optional feature inlet pressure
Max. 300 psig.

Port Config

2P: 2 port
3P: 3 port
4PL: 4 port
6P: 6 port

Ordering Example

VSR - 410UAS - 160 - 10 - 2P - F8 - F8

1 - 2

